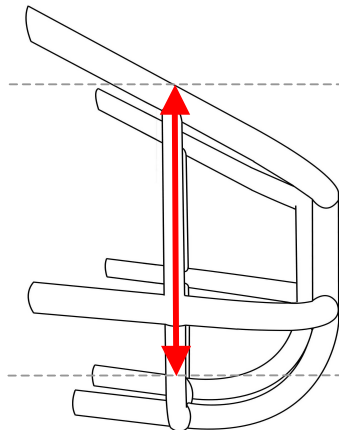
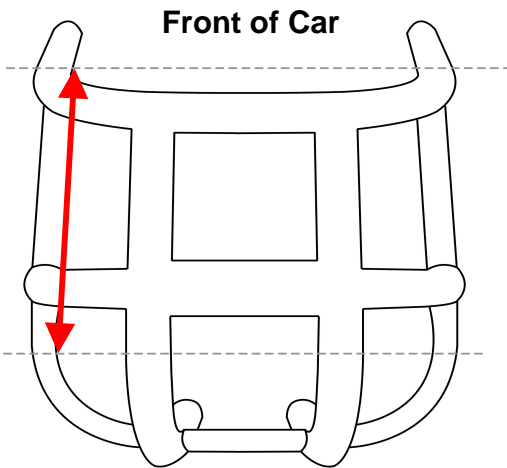


How to measure for your new ISP-1025 "Ready to Install" Lateral Drag Head Supports

Measurement #1

At center of drivers ear when seated in car (approximately same height as helmet bar) measure in a straight line from front roll bar hoop to the point where the helmet bar begins to curve behind the drivers head.

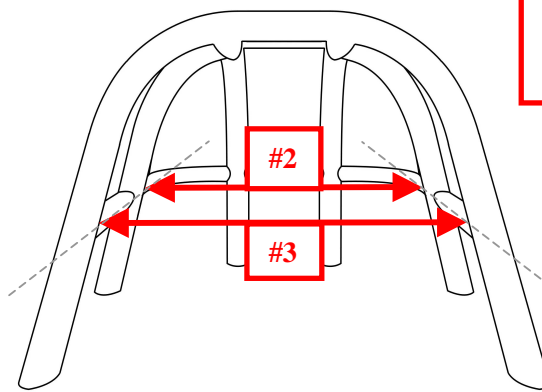
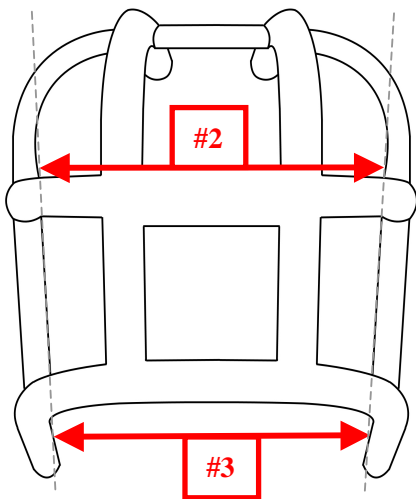


Enter Measurement #1 here

Measurements #2 and #3

At same height as measurement #1 (approximately same height as helmet bar). Measure interior distance left to right between **REAR** roll bar hoop this will provide measurement #2.

Measure interior distance left to right between **FRONT** roll bar hoop this will provide measurement #3.



Front of Car

Enter Measurement #2 here

Enter Measurement #3 here

To begin the order process: Fax this form with all information entered below to 704.455.2009. Within one business day you will receive call from ISP for billing and shipping information.

Print Name: _____ Daytime Ph. Number: _____

Measurements from above: #1 (_____) #2 (_____) #3 (_____) Chassis Type: _____