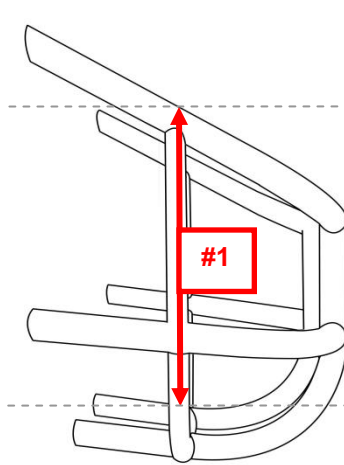
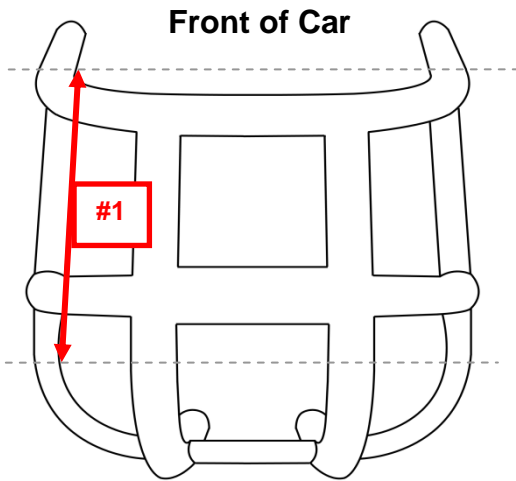


How to measure for your new ISP-1024 "Split Clamp On" Lateral Drag Head Supports

Measurement #1

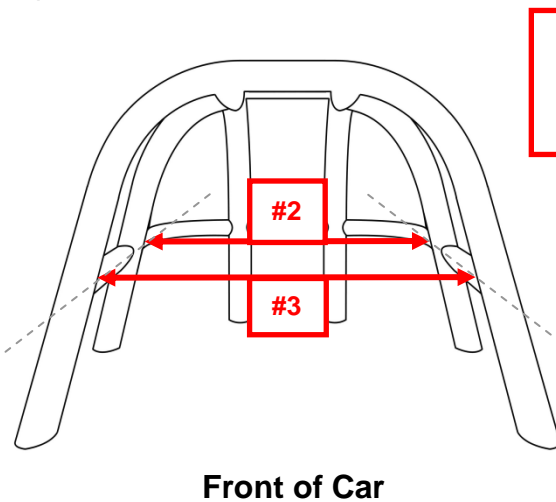
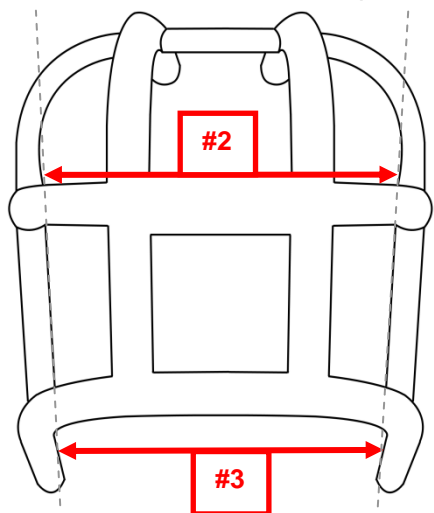
At center of drivers ear when seated in car (approximately same height as helmet bar) measure in a straight line from front roll bar hoop to the point where the helmet bar begins to curve behind the drivers head. *(This measurement allows us to determine overall support length)*



Enter Measurement #1 here

Measurements #2 and #3

At same height as measurement #1 (approximately same height as helmet bar). Measure interior distance left to right between **REAR** roll bar hoop this will provide measurement #2. Measure interior distance left to right between **FRONT** roll bar hoop this will provide measurement #3.

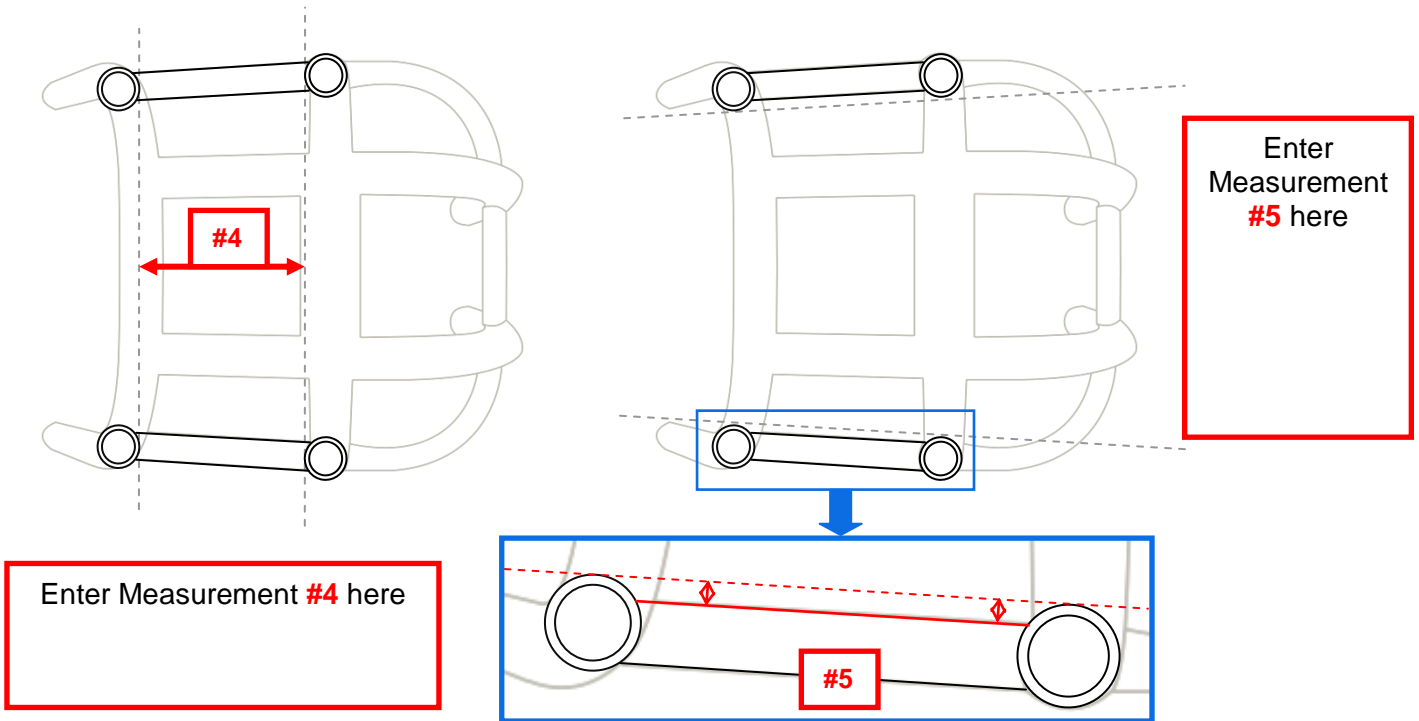


Enter Measurement #2 here

Enter Measurement #3 here

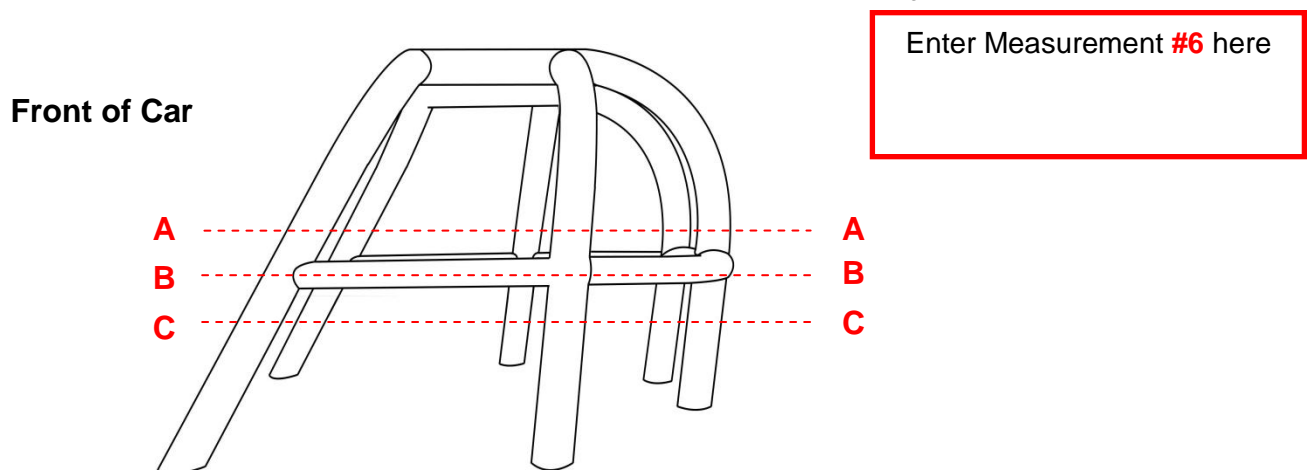
Measurement # 4 and #5

Helmet bar length. (These measurements will allow us to determine proper split clamp spacing front to back and if helmet bar is inset and if so how much)



Measurement #6

With driver seated in car determine what line below best represents center of ear in relation to the helmet bar.
A = Above, B = Center and C = Below (This will allow us to determine the proper height to provide the best protection)





5540 Morehead Rd.
Harrisburg, NC 28075 USA
P: 704.455.3060
F: 704.455.2009
kris@ispseats.com
ispseats.com

To begin the order process:

Fax all three pages of this completed form to **704.455.2009**.

Within one business day you will receive call from ISP for billing and shipping information.

If possible please follow up with an email to kris@ispseats.com and include images of the driver and or any specific concerns.

Print Name: _____ **Daytime Ph. Number:** _____

Helmet Bar Tubing Diameter (*Circle one*): **3/4 Inch** or **1 Inch**

Measurements from above:

#1 (_____)

#2 (_____) **#3** (_____)

#4 (_____) **#5** (_____)

#6 (_____)

Chassis Type: _____